

### PRS-Dial Pressure Regulating Module

The PRS-Dial is an excellent means of regulating outlet pressure at the valve regardless of incoming pressure fluctuations. The visible scale makes installation quick and easy. The regulator fits all Rain Bird PGA, PEB, PESB, PESB-R, GB, EFB-CP, EFB-CP-R, BPE and BPES series valves. The dial cartridge retrofits easily into existing PRS-B units.

#### Features

- Regulates and maintains constant outlet pressure between 15 and 100 psi (1,04 to 6,90 bar) within  $\pm 3$  psi ( $\pm 0,21$  bar)
- Adjustment knob with detents permits fine-tune setting in 1/3 psi (0,02 bar) increments
- Improved spike reduction capabilities reduce water hammer
- Ergonomic design with snap-tight cover to prevent vandalism
- Waterproof dial cartridge eliminates fogging and binding
- Dial cartridge retrofits into all existing PRS-B units
- Schrader valve connects pressure hose gauge
- Easy field installation. PRS-Dial threads underneath the solenoid and adapter
- Corrosion-resistant glass-filled nylon for rugged performance

#### Operating Range

Pressure: up to 100 psi (6,90 bar)\*  
 Regulation: 15 to 100 psi (1,04 to 6,90 bar)  
 Accuracy:  $\pm 3$  psi ( $\pm 0,21$  bar)  
 Flow: refer to chart  
 Temperature: up to 150°F (66°C)

\* While the PRS-Dial unit can withstand pressure up to 200 psi (13,80 bar), accurate pressure regulation can be maintained only up to 100 psi (6,90 bar).

#### Application Information

- Proper operation requires inlet pressure to be a minimum of 15 psi (1,04 bar) higher than desired outlet pressure.
- For areas with very high pressure or uneven terrain, install sprinklers with PRS pressure regulating stems and/or SAM check valves.
- When inlet pressure exceeds 100 psi (6,90 bar), a pressure regulating master valve or inline pressure regulator is required.
- Rain Bird does not recommend using the pressure regulating module for applications outside the recommended flow ranges.
- To reduce the effects of water hammer, Rain Bird recommends flow rates in the supply line not to exceed 7.5 ft/sec (2,29 m/s).
- For flows below 10 gpm (2,27 m<sup>3</sup>/h; 37,8 l/m), Rain Bird recommends the flow control stem be turned down two full turns from the fully open position.
- For flows below 5 gpm (1,14 m<sup>3</sup>/h; 19,21 l/m), Rain Bird recommends the use of upstream filtration to prevent debris from collecting below the valve diaphragm.

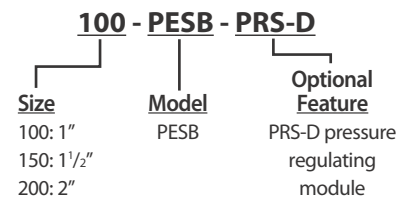


#### Recommended Flow Ranges\*

Model	gpm	m <sup>3</sup> /h	l/m
100-PGA	5-40	1,14-9,08	19,2-151
150-PGA	30-100	6,81-22,70	113-378
200-PGA	40-150	9,08-34,05	151-568
100-PEB	5-50	1,14-11,35	19,2-189
150-PEB	20-150	4,54-34,05	76-568
200-PEB	75-200	17,03-45,40	284-757
100-PESB/PESB-R	5-50	1,14-11,35	19,2-189
150-PESB/PESB-R	20-150	4,54-34,05	76-568
200-PESB/PESB-R	75-200	17,03-45,40	284-757
100-GB	5-50	1,14-11,35	19,2-189
125-GB	20-80	4,54-18,16	76-302
150-GB	20-120	4,54-31,78	76-529
200-GB	20-200	4,54-45,40	76-757
100-EFB-CP	5-50	1,14-11,35	19,2-189
125-EFB-CP	20-80	4,54-18,16	76-302
150-EFB-CP	20-120	4,54-31,78	76-529
200-EFB-CP	20-200	4,54-45,40	76-757
300-BPE	60-300	13,62-68,10	227-1136
300-BPES	60-300	13,62-68,10	227-1136

\*These are the valve flow ranges. The PRS-Dial regulates only up to 100 psi (6,90 bar)

#### How to Specify/Order



Note: Valve and PRS-D must be ordered separately.



## Specifications

The pressure regulating module shall be a two-piece device consisting of a glass-filled, UV resistant nylon housing and dial cartridge.

When so indicated on the design, the plastic or brass valve shall have a pressure regulating module (PRS-Dial) which shall have the following characteristics (circle one):

Operating pressure: \_\_\_\_\_ psi    bar

Outlet pressure regulation:  
between \_\_\_\_\_ and \_\_\_\_\_ psi    bar

The regulator shall be installed between the plastic or brass valve bonnet and electric solenoid. The electric solenoid shall be 24 VAC 50/60 Hz (cycles/second) solenoid and shall open with 19.6 volts minimum at 200 psi (13,80 bar). Average inrush current shall not exceed 0.41 A (9.4VA) and holding current shall not exceed 0.28A (6.72VA).

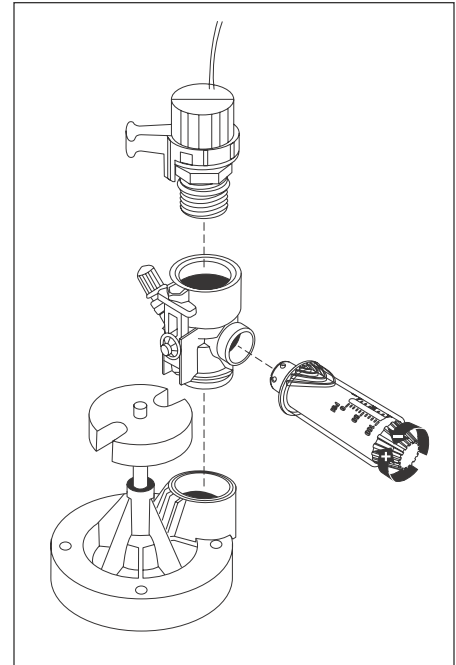
The regulator shall have a visible pressure indication scale ranging from 0-100 psi (0,0 to 6,90 bar) and an adjustment knob with detents that provide fine-tune adjustments in 1/3 psi (0,02 bar) increments. The protective cover shall snap tight to deter vandalism.

A schrader valve shall be installed to accommodate a pressure hose gauge for monitoring pressure.

The regulator shall be waterproof to prevent fogging the clear window and to prevent grit from binding internal components. The pressure shall be adjustable when the valve is manually internal bled or electronically activated.

The regulator construction shall be such as to provide replacing the dial cartridge without removing the regulator housing or disturbing the valve installation.

The pressure regulating module shall be manufactured by Rain Bird Corporation, Glendora, California.



### Rain Bird Corporation

6991 E. Southpoint Road, Tucson, AZ, 85706, U.S.A.  
Phone: (520) 741-6100 Fax: (520) 741-6522

### Rain Bird Corporation

970 W. Sierra Madre Avenue, Azusa, CA, 91702, U.S.A.  
Phone: (626) 812-3400 Fax: (626) 812-3411

### Rain Bird International, Inc.

P.O. Box 37, Glendora, CA, 91740-0037, U.S.A.  
Phone: (626) 963-9311 Fax: (626) 852-7343

### Technical Service and Support

(800) RAINBIRD (U.S. and Canada only)

### Specification Hotline

(800) 458-3005 (U.S. and Canada only)

[www.rainbird.com](http://www.rainbird.com)

The Intelligent Use of Water™ — Visit [www.rainbird.com](http://www.rainbird.com) to learn about our efforts